

OUTDOOR INSTALLATION INSTRUCTIONS

WARNING

Contact your local municipality for any building codes regulating the installation of outdoor barbecue appliances. Outdoor installations must conform to local codes or, in the absence of local codes, with the following.

We recommend that this installation be done in a masonry structure and carried out by a professional tradesperson. Other non-combustible material such as Hardiplank, Villaboard with metal studs may also be used.

The installation must comply with AS/NZS 5601.1 and any applicable local regulations.

Minimum clearances from combustible construction materials to all sides of the installed appliance shall not be less than 450mm.

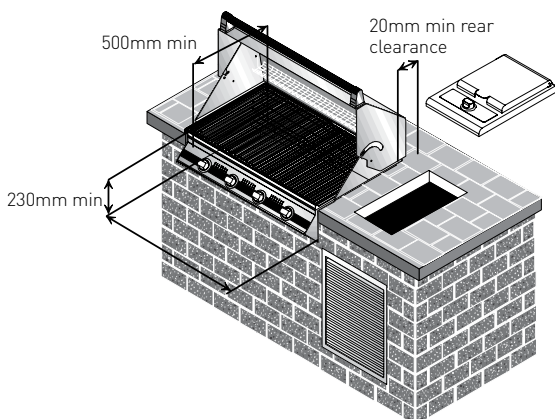
The vertical clearance above the cooking surface to any combustible materials must be at least 1000mm.

The minimum clearance to a vertical wall above bench level made from a combustible material is 250mm on the left and right hand side.

If an LPG bottle is to be stored in the enclosure under the barbecue unit, it must be isolated from the barbecue unit with a non-combustible panel. The enclosure must comply with the requirements of AS/NZS 5601.1.

- AS/NZS 5601.1 ventilation requirements for cylinder storage are:
Where of sheet metal or similar impervious construction there shall be ventilation openings at the top and bottom of the enclosure or recess, each opening providing a free area of at least 200cm² for every cylinder enclosed.
- For Universal LPG installations having enclosed cabinetry below the separation panel that does not contain a gas bottle, low level venting must be installed. This is to allow the gas which is heavier than air to escape from the enclosure in the situation where there may be a leak. A minimum opening of 200cm² is required.

Typical installation drawing



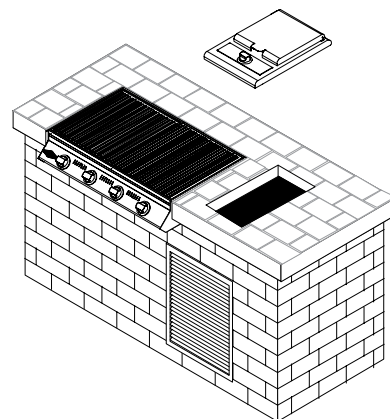
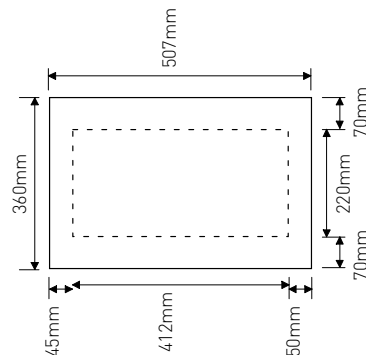
WARNING

When using an LPG/Propane supply system in an enclosure, ventilation must be provided. Gas vapour is highly explosive and can cause serious bodily injury or damage to property if allowed to accumulate in a confined space and ignited.

Installing the Inbuilt Side Burner

This appliance can only be installed in a supporting structure constructed such that no combustible material is within 450mm of the installed appliance.

- Determine the position of the cutout for the side burner using the diagram shown on this page.
- Ensure that no gas, electricity or any other services run near the position of the cutout.
- Depending on the depth of the bench into which the side burner is being installed, it may be necessary to connect the gas hoses to the side burner first.
- Secure the side burner by drilling through the mounting plate.

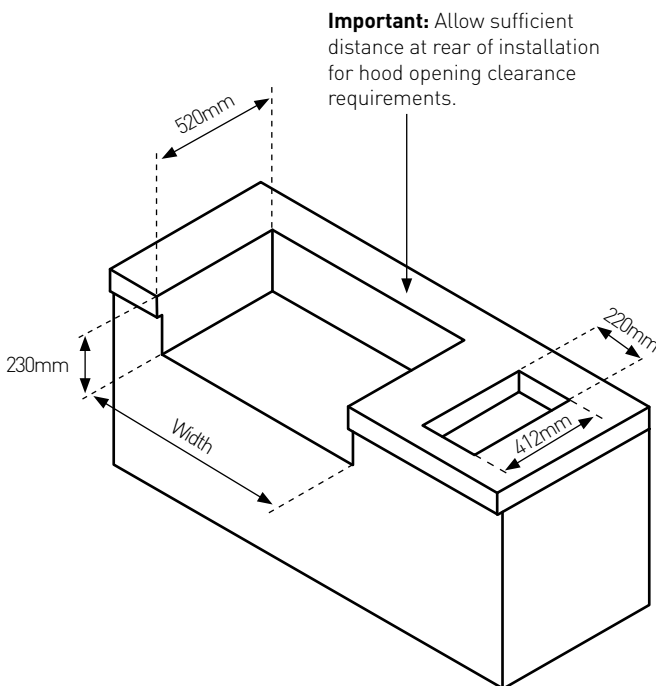


Cut out dimensions

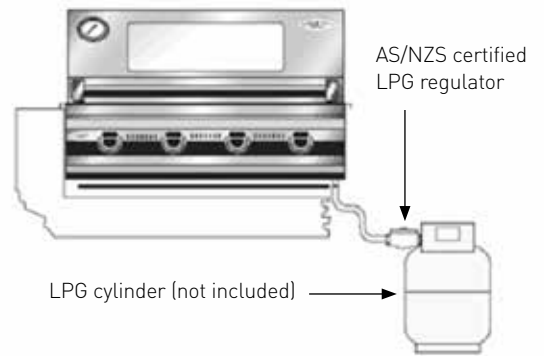
For built-in installations: islands, masonry, other non-combustible material structures.

SIGNATURE SERIES BUILT-IN BARBECUES				
	2 burner	3 burner	4 burner	5 burner
Width (mm)	508	671	828	985
Height (mm)	230	230	230	230
Depth (mm)	520	520	520	520
Minimum clearance to combustible materials (mm)	450	450	450	450

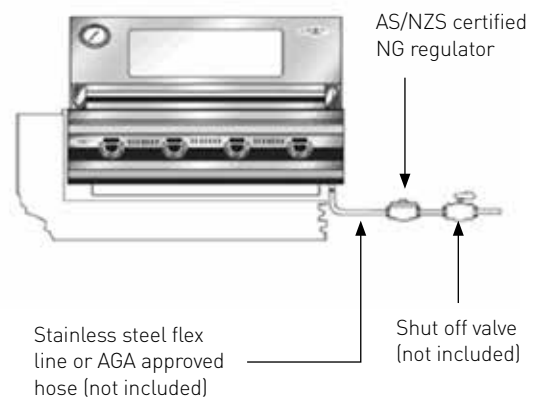
SIDE WOK / BURNER	
Width (mm)	220
Depth (mm)	412
Minimum clearance to combustible materials (mm)	450



LPG Installation



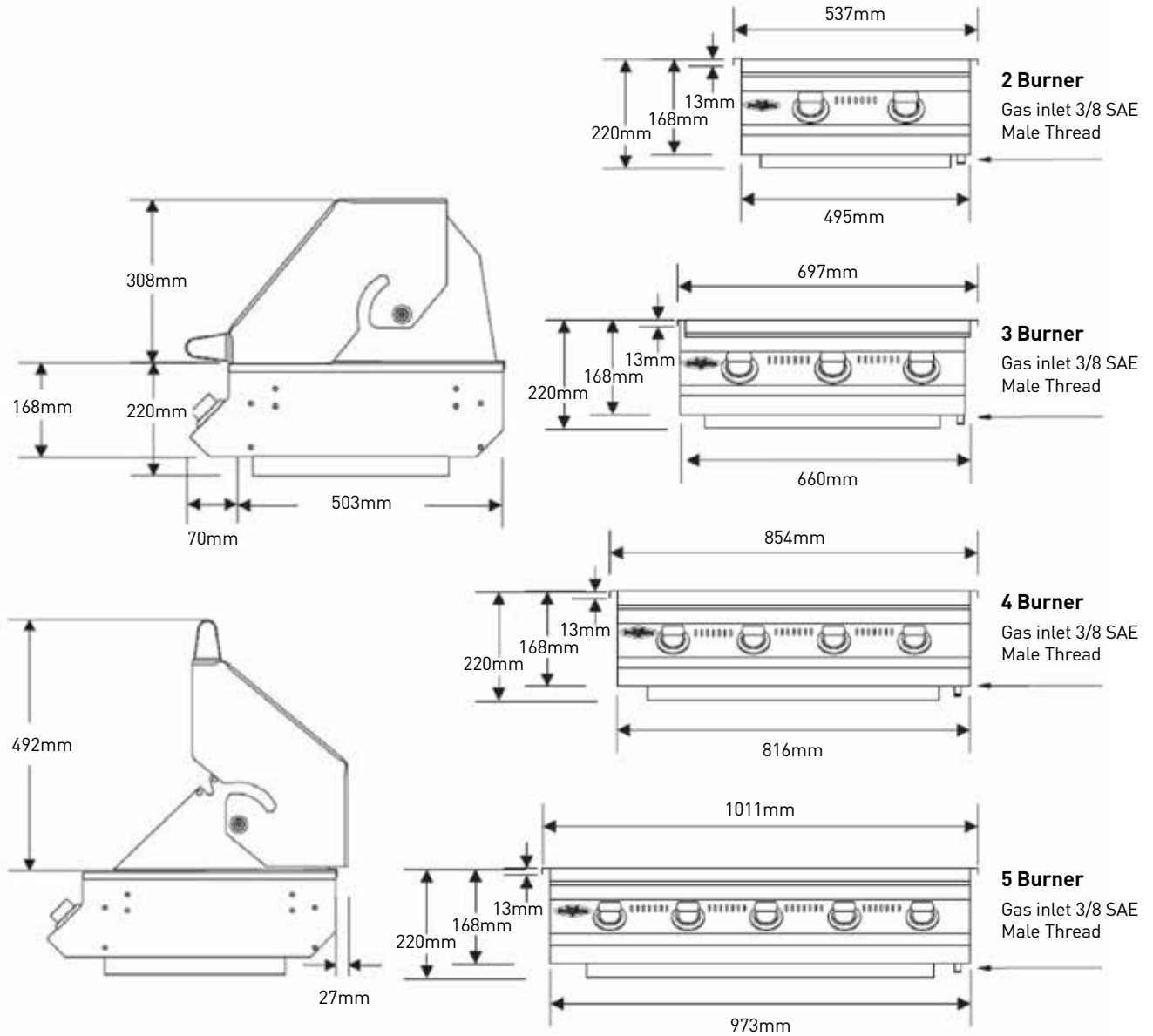
Natural Gas Installation



SPECIFICATIONS

Barbecue Dimensions

Model series S3000S, S3000E.



WEIGHT WITH HOOD

	2 burner	3 burner	4 burner	5 burner
Weight with hood (kg)	45	55	65.5	76