



CL7372, CL7375, CL7372B, CL7375B // 120cm & 150cm // ON-BOARD MOTOR

TWIN
ON-BOARD
MOTORS



// CL7372S (120cm)



// CL7372 (120 cm, stainless steel) and CL7372B (120cm, matte black)



// CL7375B (150 cm, matte black) and CL7375 (150cm, stainless steel)



Constructed with high grade 304 stainless steel hand-polished to a hardwearing lustre and a matte black option, this BBQ wallmount rangehood promises a commanding presence in any alfresco cooking environment.

It pairs form and function with clean geometric lines and powerful air extraction from twin internal motors to swiftly deal with cooking odours, steam and airborne grease.

Users will especially appreciate the 5 extraction speeds, touch and remote control options, energy-efficient wide-angle LED lighting, dishwasher-safe stainless steel baffles and automatic shut-off function.

PRODUCT DESCRIPTION

- quality 304 grade stainless steel and matte black available
- 5 speed touch sensitive controls, with remote
- 10 minute auto shut off
- GU10 LED lights with a lifetime warranty
- dishwasher safe, commercial grade baffles
- 5 Year rangehood Warranty

TECHNICAL DATA

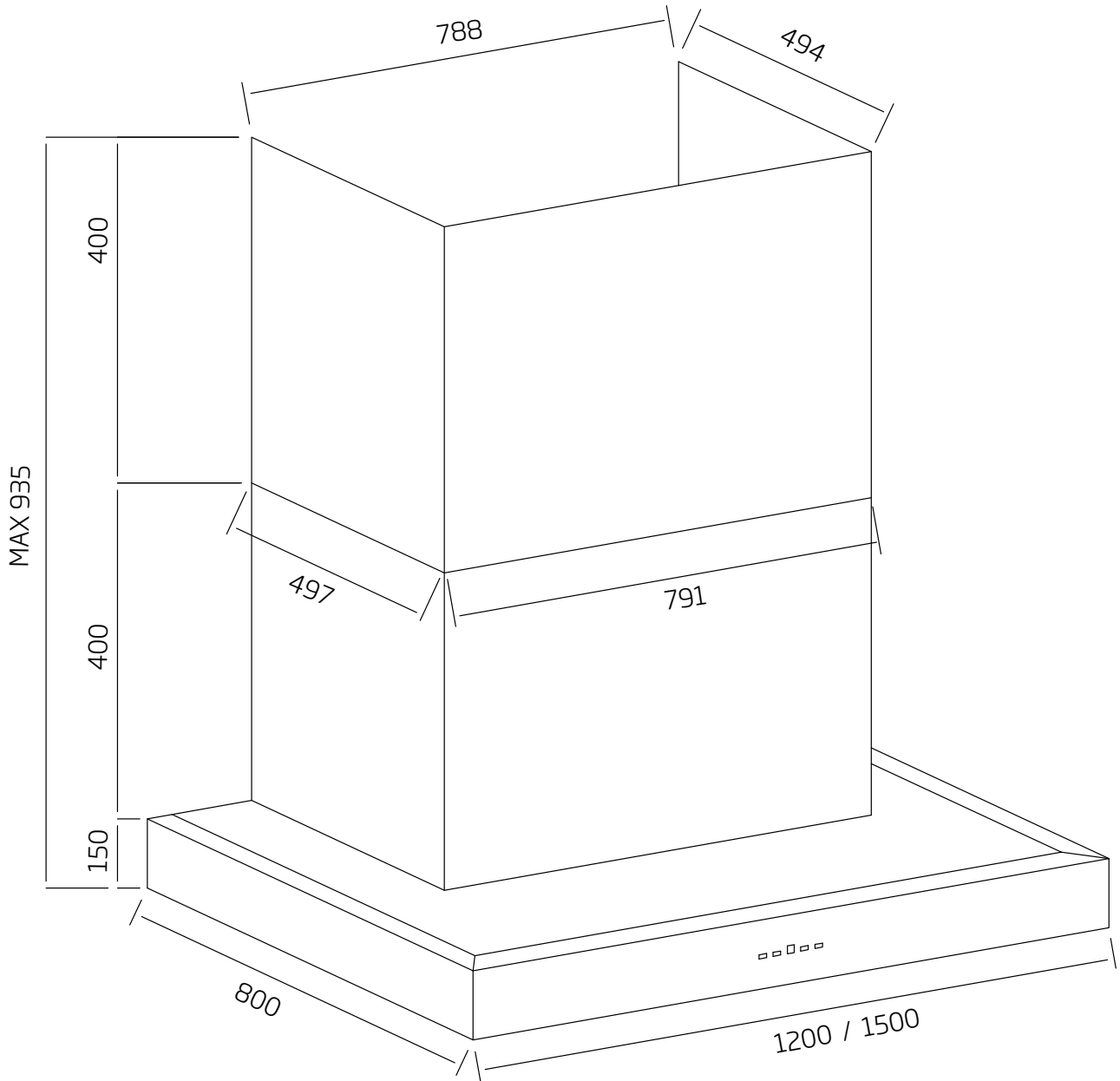
- **CL7372** dimensions: (W x D) 1200 x 800 mm, 6 x baffles, 4 x LED lights
- **CL7372** dimensions: (W x D) 1500 x 800 mm, 8 x baffles, 4 x LED lights

INTERNAL MOTOR

- Twin internal motors
- Airflow - 2500m³/h



CL7372, CL7375, CL7372B, CL7375B // 120cm & 150cm // ON-BOARD MOTOR



Model: CL7372, CL7372B, CL7375, CL7375B
Feeding Voltage: 220-240V 50Hz
Max Lamp Power: 4 x 3W
ILCOS Code: DRR-3-H-GU10-51/55