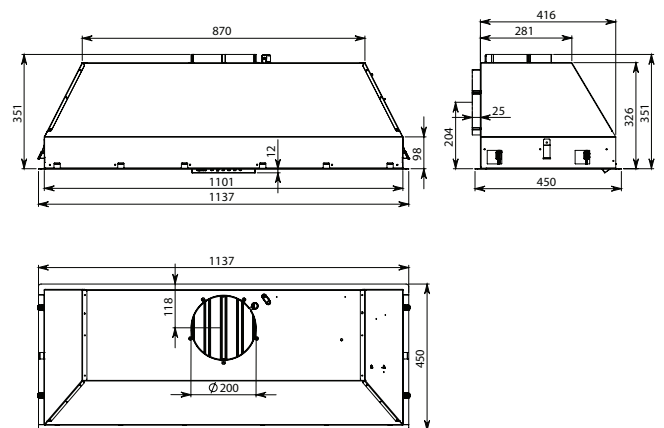




Product Features

Motor Type	Off Board Motor
Dimensions	1137(W) x 351(H) x 450(D)mm Suits 90cm-130cm Cooking Surfaces
Cut-Out	1110 x 420mm
Filtration Type	3 x Baffle Filters
Lighting Type	Dynamic LED Strip
Finish	304 Stainless Steel
Install	Flush Frame
Controls	Touch Control
Speed Settings	3 Speed + Boost
Timer Function	15 Min Auto Shut-Off
Ducting	200mm Circular Outlet + 6m of Flexible Ducting Supplied
Installation Info	Quick Install Clips
Remote Control	Optional
Grease Filter Alarm	Yes
Dishwasher Safe Filters	Yes

Dimensioned Drawings



Model Code	Motor Output	Installation Option
FP3GV12S2-ER2010	2010m ³ /hr	External Roof Motor
FP3GV12S2-EW2010	2010m ³ /hr	External Wall Motor