



## CLUM210, CLUM212 // 100 & 120cm // ON-BOARD MOTOR



// CLUM212 (120cm)



// CLUM210 (100cm)

Schweigen's undermount CLUM210 & CLUM212 boast power, innovative design and durability. Using only the finest 304 grade stainless steel, these alfresco rangehoods are made considerably more durable for use in an outdoor room or under-cover patio.

Their sleek, undermount design integrates seamlessly into any alfresco cabinetry and outdoor dining area. With easy-to-use, push button controls, you are able to choose from 5 powerful speed levels originating from the twin, in-built motors. The CLUM210 & CLUM212 ensure efficient extraction of heavy smoke and grease created from any Australian barbecue.

### PRODUCT DESCRIPTION

- quality 304 grade stainless steel
- 5 speed touch sensitive controls, with remote
- 10 minute auto shut off
- GU10 LED lights with a lifetime warranty
- dishwasher safe, commercial grade baffles
- 5 Year rangehood Warranty

### TECHNICAL DATA

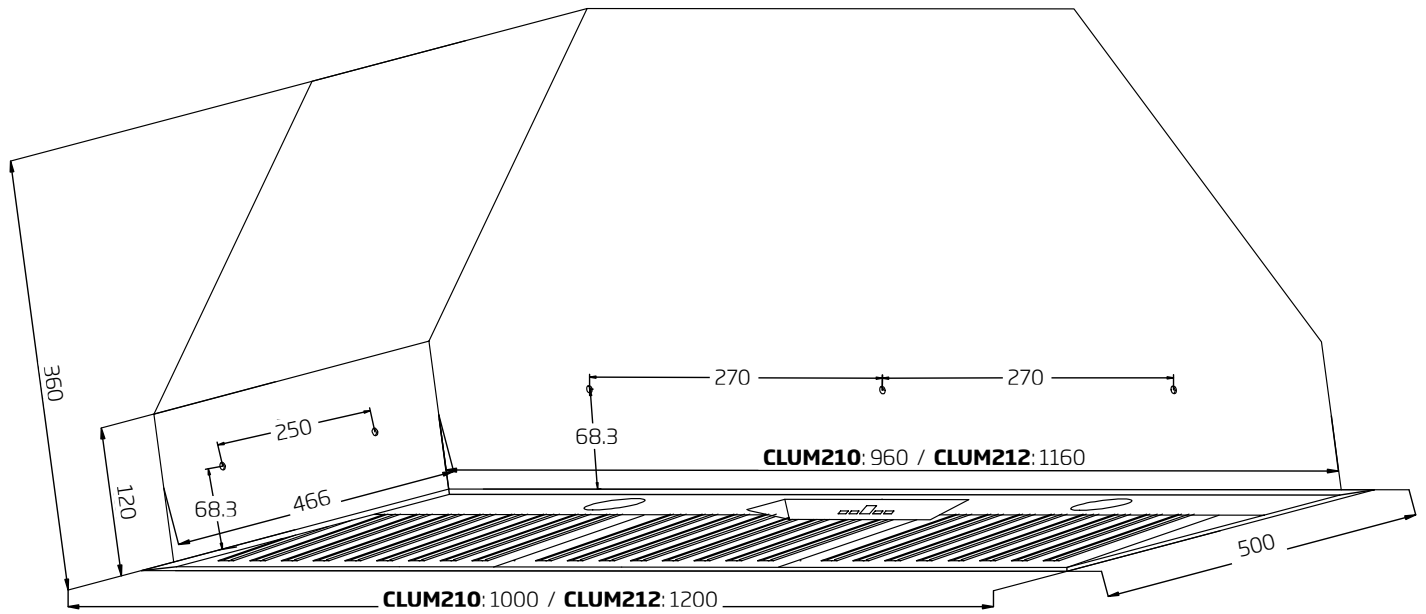
- **CLUM210** dimensions: (W x D) 1000 x 500 mm, 3 x baffles, 2 x LED lights
- **CLUM212** dimensions: (W x D) 1200 x 500 mm, 3 x baffles, 2 x LED lights

### INTERNAL MOTOR

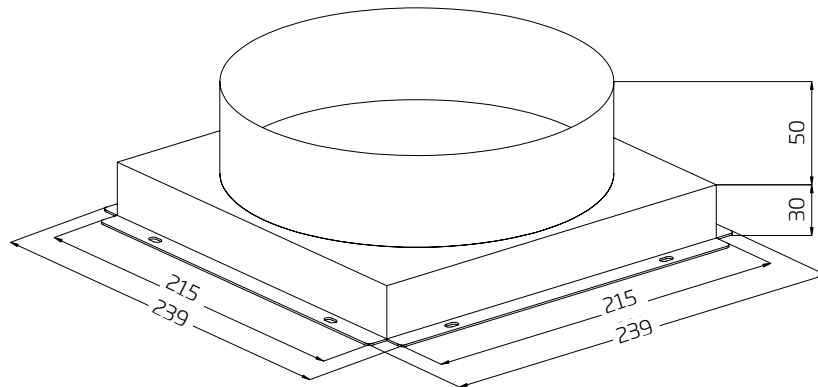
- Twin internal motors
- Airflow - 2500m<sup>3</sup>/h



**CLUM210, CLUM212 // 100 & 120cm // ON-BOARD MOTOR**



**Dual 200mm adaptor**



**Model:** CLUM210, CLUM212  
**Feeding Voltage:** 220-240V 50Hz  
**Max Lamp Power:** 2 x 3W  
**ILCOS Code:** DRR-3-H-GU10-51/55